



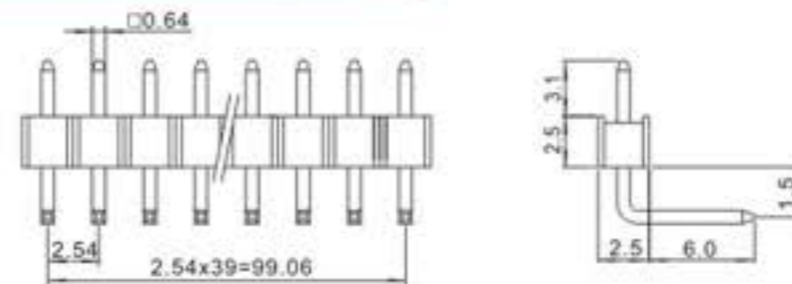
## 技术参数 SPECIFICATIONS

- 线数 (Poles) : (Y)1~22 (A、WA)1~40
- 适用线规 (Applicable wires) : AWG28#~22#
- 适应基板厚度 (Applicable PC board thickness) : 1.6mm
- 温度范围 (Temperature range) : -25℃~85℃
- 额定电压 (Voltage rating) : 250V.Ac/Dc
- 额定电流 (Current rating) : 3A
- 接触电阻 (Contact resistance) : ≤0.02Ω
- 绝缘电阻 (Insulation resistance) : ≥1000MΩ
- 耐压 (Withstand voltage) : 1000V.Ac/1min
- 材料 (Material) :
  - 孔座 (Housing) : 尼龙 (PA66) UL94V-2(0)
  - 针座 (Wafer) : PBT UL94V-2(0)
  - 端子 (Terminal) : 磷青铜 (Phos.bronze Tin/plated)

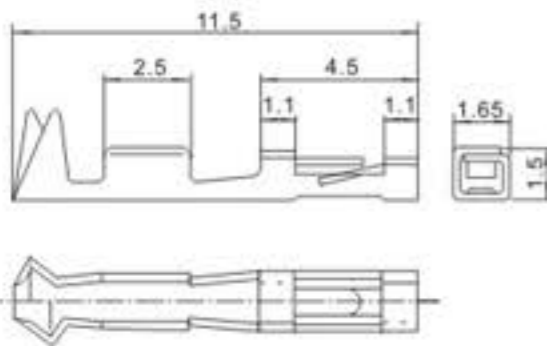
### 端子 TERMINAL (TJC8/杜邦)

型号 Type	适用线规 Applicable wires		电线外径 O.D of wire ins mm	数量 Quantity
	mm <sup>2</sup>	AWG#		
HX25402-PT	0.08~0.33	28~22	1.0~1.6	8000PCS/盘
HX25402-RT	0.08~0.33	28~22	1.0~1.6	8000PCS/盘

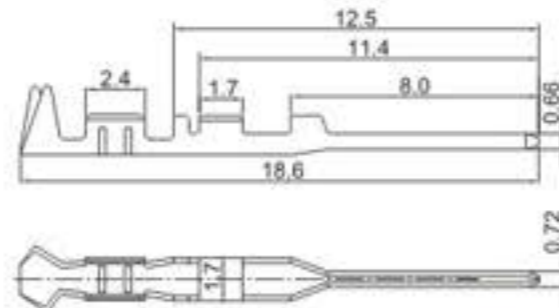
### HX25403-40WA (TJC8/杜邦)



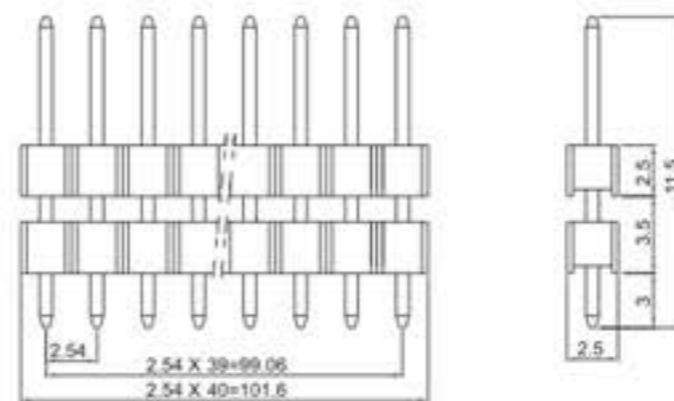
### HX25402-PT (TJC8/杜邦)



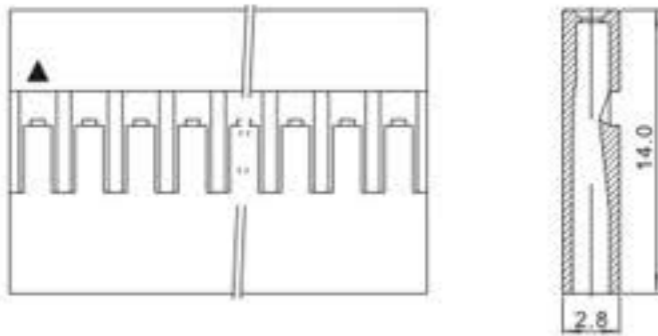
### HX25402-RT (TJC8/杜邦)



### HX25403-40AD (TJC8/杜邦)



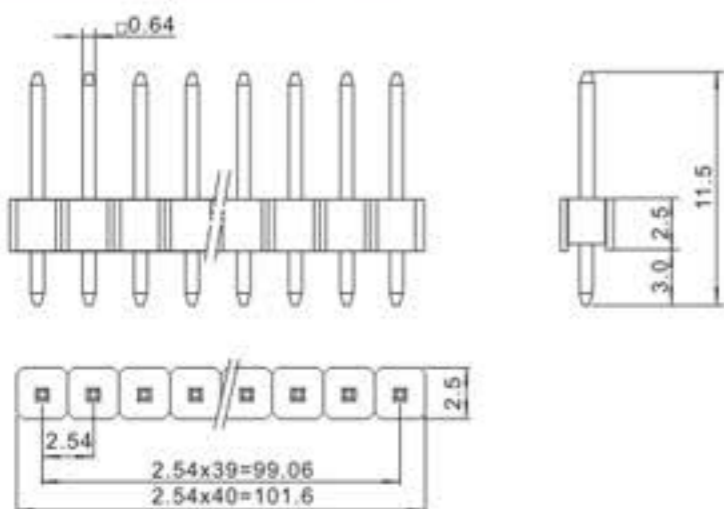
### HX25402-Y (TJC8/杜邦)



## 安装尺寸 MOUNTING MEASUREMENT



### HX25403-40A (TJC8/杜邦)



### 孔座 HOUSING (TJC8/杜邦)

线数 Poles	型号 Type	尺寸Dimensions(mm)	
		A	B
1	HX25402-1Y	0	2.8
2	HX25402-2Y	2.54	5.34
3	HX25402-3Y	5.08	7.88
4	HX25402-4Y	7.62	10.42
5	HX25402-5Y	10.16	12.96
6	HX25402-6Y	12.70	15.50
7	HX25402-7Y	15.24	18.04
8	HX25402-8Y	17.78	20.58
9	HX25402-9Y	20.32	23.12
10	HX25402-10Y	22.86	25.66
11	HX25402-11Y	25.40	28.20

线数 Poles	型号 Type	尺寸Dimensions(mm)	
		A	B
12	HX25402-12Y	27.94	30.74
13	HX25402-13Y	30.48	33.28
14	HX25402-14Y	33.02	35.82
15	HX25402-15Y	35.56	38.36
16	HX25402-16Y	38.10	40.90
17	HX25402-17Y	40.64	43.44
18	HX25402-18Y	43.18	45.98
19	HX25402-19Y	45.72	48.52
20	HX25402-20Y	48.26	51.06
...	...	...	...
22	HX25402-22Y	53.34	56.14