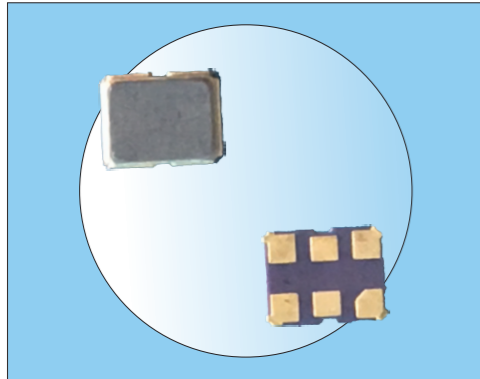


Crystal Oscillators

Voltage Controlled Crystal Oscillator/SMD2520L



Features

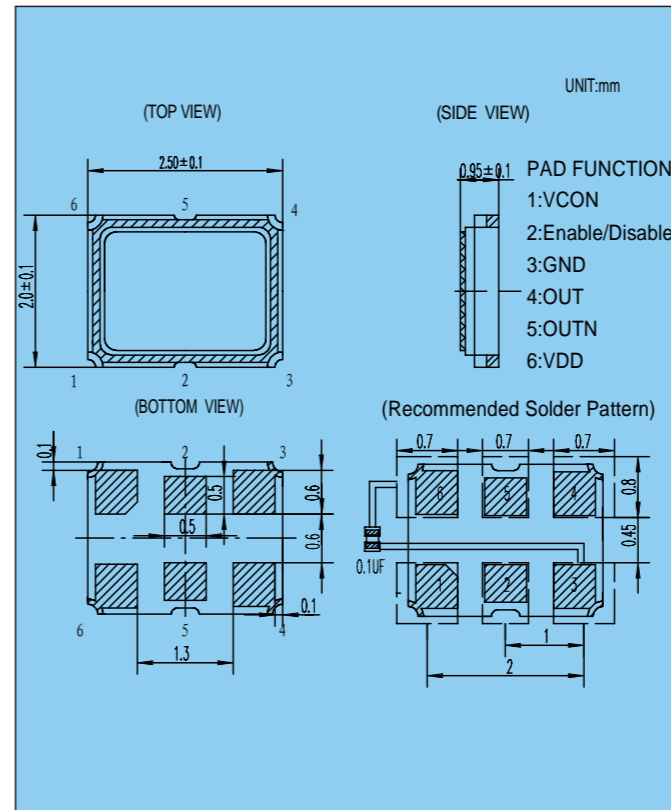
- JYEG part number :JYVCD2L
- 3.3Vsupply voltage
- LVPECL output
- Tri-state function available
- Tape and reel available

TYPICAL SPECIFICATIONS

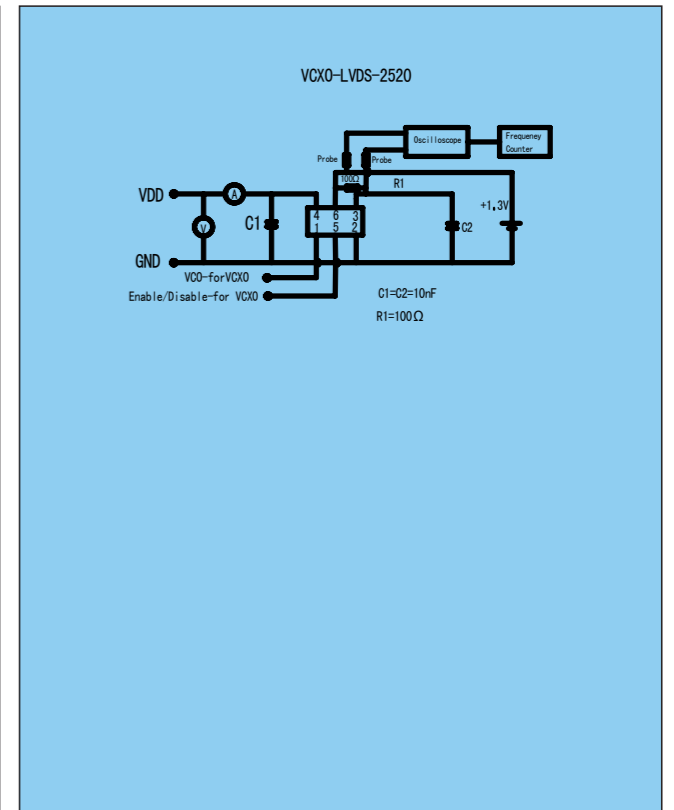
Type	VCXO SMD2520L		
Frequency Range	100.000~170.000MHZ(AT1)		
Frequency Stability	$\geq \pm 30\text{ppm}/\geq \pm 35\text{ppm}$		
Operating Temperature Range	-20°C~70°C/-40°C~85°C/-40°C~105°C		
Output Load	100±1Ω		
Input Current	≤80mA		
Supply Voltage	3.3V ± 10%		
Start-up Time	1 ms Max		
Duty Cycle	40%~60% Normal,45%~55% Tight		
Rise/Fall Time	2ns Max		
Pulling Range	± 50ppm Min		
Control Voltage Range	10%VDD~90%VDD		
Linearity	10% Max		
Output "H" Level	MIN	TYP	MAX
	—	1.43	1.6
Output "L" Level	MIN	TYP	MAX
	0.9	1.1	—
Tri-state	Pin2:0.7 VDD Min(High)or open,Output:Enable		
	Pin2:0.3 VDD Max(Low),Output:Disable		
RMS Jitte(12KHZ 20MHZ)	1.0ps Max		
Aging	± 3ppm/year Max		
Storage Temperature Range	-55°C~125°C		

Crystal Oscillators

VCXO SMD2520L(JYVCD2L)



TEST CIRCUIT



TAPE AND REEL DIMENSIONS

