

# SAW Resonator 868.35 MHz

MODEL NO.: TC0205A

REV. NO.:1

## A. FEATURES:

1. 1-Port Resonator.

## B. MAXIMUM RATING:

1. Input Power Level: 0 dBm

2. DC voltage: 12 V

3. Operating Temperature: -40°C to +85°C

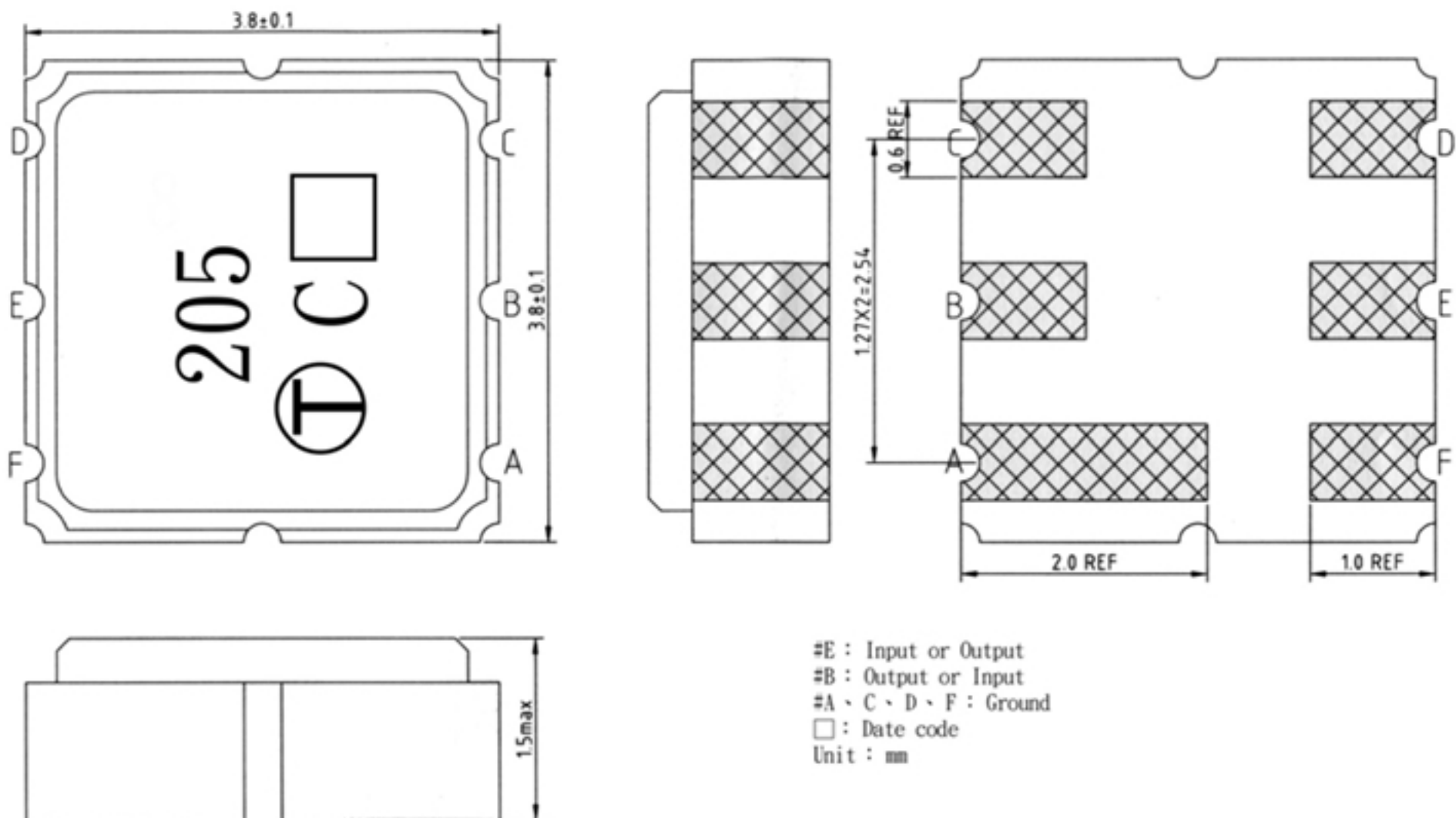
4. Storage Temperature: -40°C to +85°C

## C. ELECTRICAL CHARACTERISTICS:

Characteristic	Units	Minimum	Typical	Maximum
Center frequency <b>Fr</b>	<b>MHz</b>	868.200	868.350	868.500
Insertion Loss <b>IL</b>	<b>dB</b>	-	1.3	2.5
Equivalent Elements				
Motional capacitance <b>C1</b>	<b>fF</b>	-	1.21	-
Motional inductance <b>L1</b>	<b>μH</b>	-	27.66	-
Motional resistance <b>R1</b>	<b>Ohm</b>	-	17.92	-
Parallel capacitance <b>Co</b>	<b>pF</b>	-	2.51	-
Temp. coeff.	<b>ppm/c*2</b>	-	0.032	-
Turnover <b>To</b>	<b>deg.C</b>	20	-	50
Package size		SMD 3.8X3.8X1.2mm		

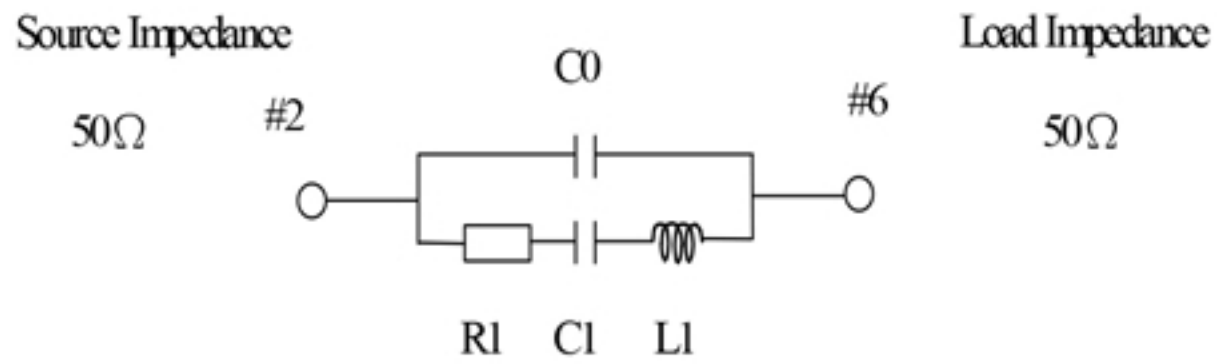
RoHS Compliant  
Lead free  
Lead-free soldering

## D. OUTLINE DRAWING:

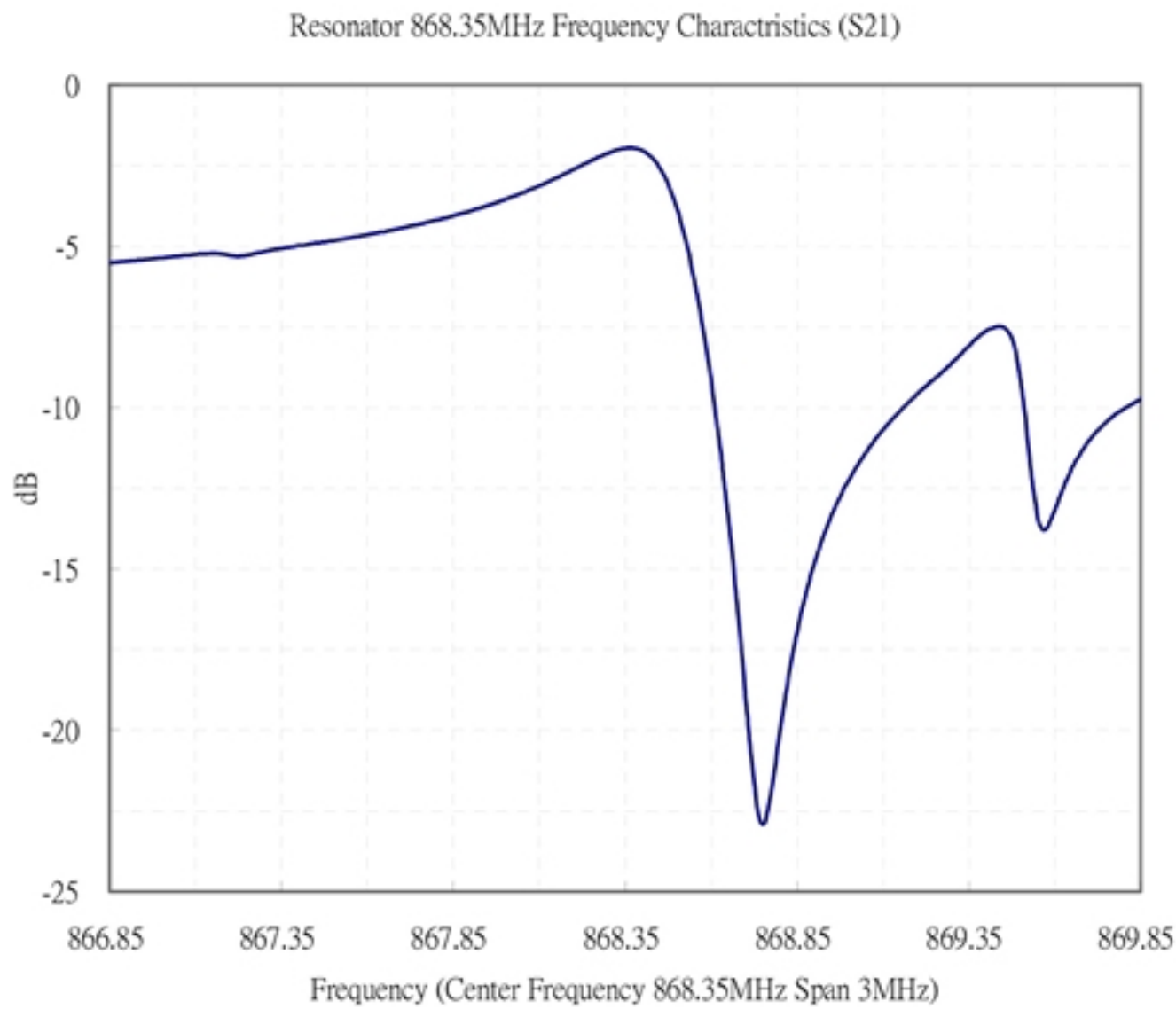


E. EQUIVALENT CIRCUIT:

One-Port Resonator:

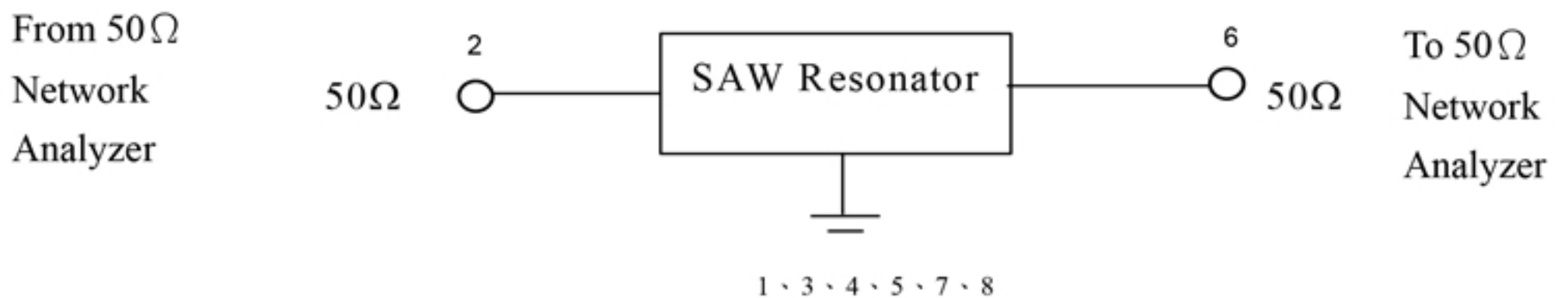


F. FREQUENCY CHARACTERISTICS:



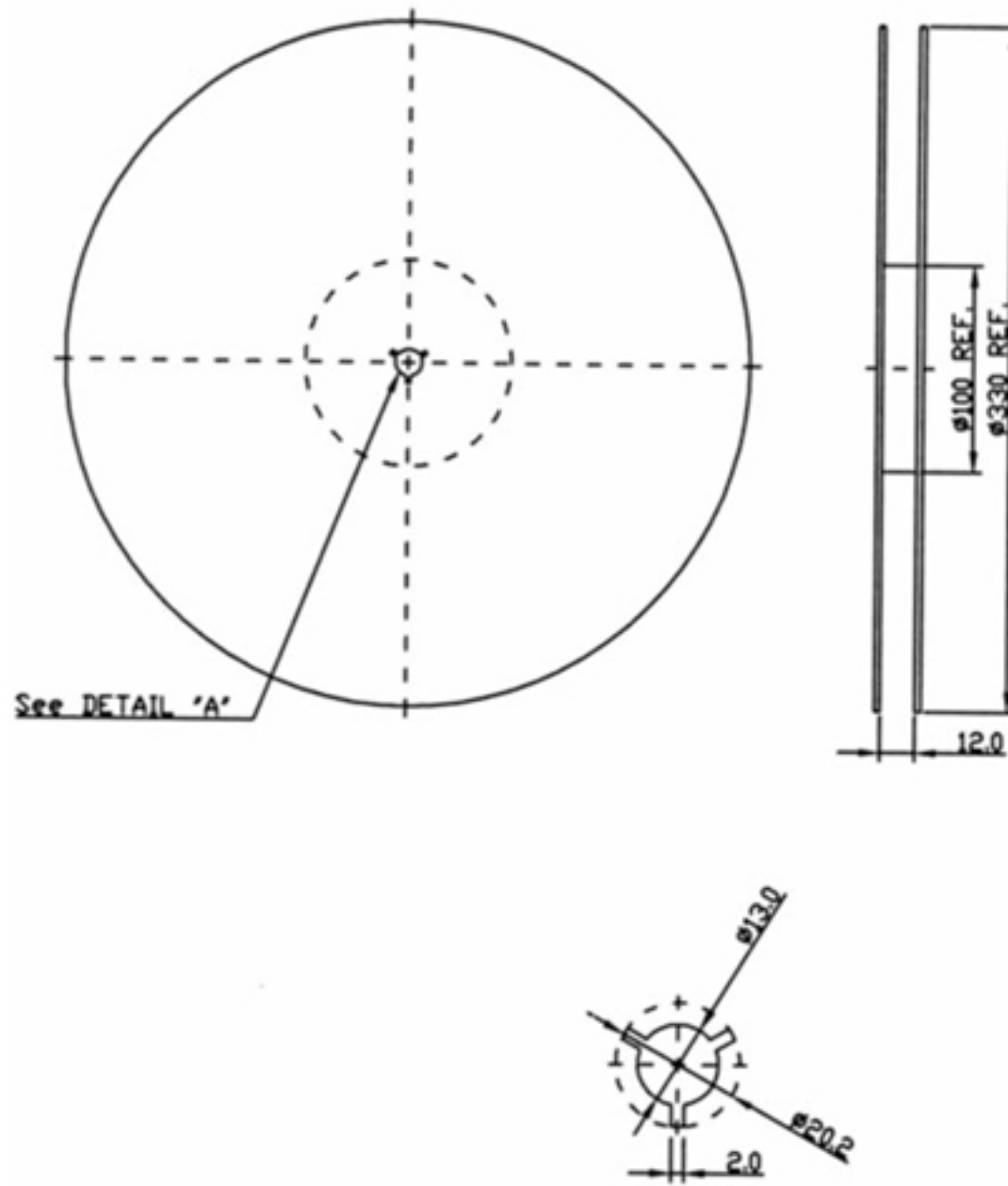
G. TEST CIRCUIT:

Network analyzer



# H. PACKING:

## 1. REEL DIMENSION



## 2. TAPE DIMENSION

