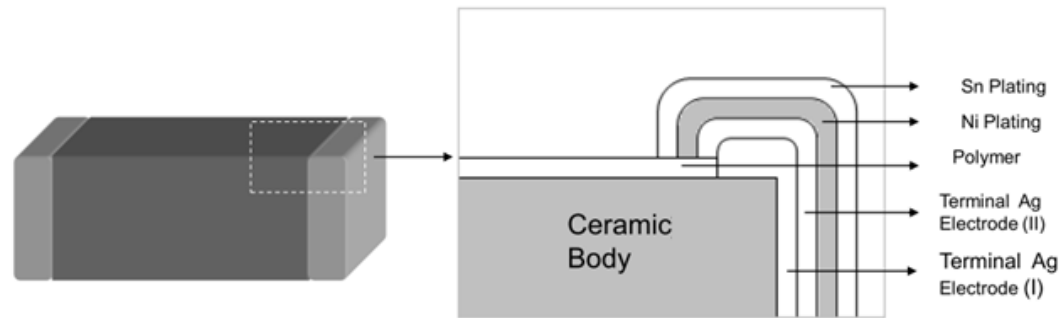
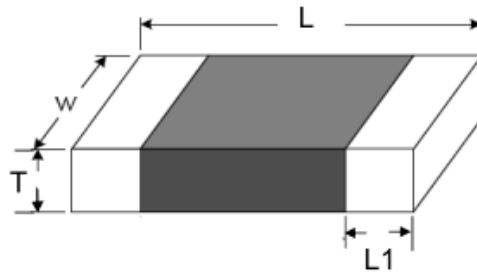


SMD NTC

Chip Structure



Chip Dimension



Unit : mm

	JSNA Series	JSNB Series	JSNC Series
L	1.00±0.10	1.60±0.15	2.00±0.20
W	0.50±0.10	0.80±0.10	1.25±0.20
T	0.6 max.	0.95 max.	1.20 max.
L1	0.10 ~ 0.40	0.20 ~ 0.50	0.20 ~ 0.60

SMD NTC Series Ordering Code

JSN Ordering Code Description

1	2	3	4	5	6	7	8	9	10	11	12								
J	S	N	A	1	0	3	F	3	4	4	F								
	①		②		③		④		⑤		⑥								



1	Series No.	JSN	5	B Value	344 = 3435 K 405 = 4050 K
2	Chip Size	A = 0402 (1005) B = 0603 (1608) C = 0805 (2012)	6	B Value tolerance	F = ±1% G = ±2% H = ±3% J = ±5%
3	R Value at 25°C	502 = 5KΩ 103 = 10KΩ 104 = 100KΩ	7		
4	R tolerance at 25°C	F = ±1% G = ±2% H = ±3% J = ±5% K = ±10%	8		

For Example:

JSNA103F338F / JSNB103F397F / JSNC104F398F

SMD NTC Electrical Characteristics

Part No.	R25 (Ω)	R Tolerance (%)	B 25/50 (K)	B 25/85 (K)	B Tolerance (%)	
JSNA103X338Y JSNB103X338Y JSNC103X338Y	10000	10,5,3,2,1	3380		5,3,2,1	
JSNA103X344Y JSNB103X344Y JSNC103X344Y	10000	10,5,3,2,1		3435	5,3,2,1	
JSNB473X395Y	47000	10,5,3,2,1		3950	5,3,2,1	
JSNB473X405Y	47000	10,5,3,2,1		4050	5,3,2,1	
JSNB104X405Y	100000	10,5,3,2,1		4050	5,3,2,1	
JSNB104X440Y	100000	10,5,3,2,1		4400	5,3,2,1	
JSNB204X406Y	200000	10,5,3,2,1		4060	5,3,2,1	
JSNC104X398Y	100000	10,5,3,2,1		3980	5,3,2,1	
JSNC104X400Y	100000	10,5,3,2,1		4000	5,3,2,1	
JSNC503X400Y	50000	10,5,3,2,1,		4000	5,3,2,1	
JSNC683X400Y	68000	10,5,3,2,1		4000	5,3,2,1	

※ X : R Tolerance , Y : B Value Tolerance

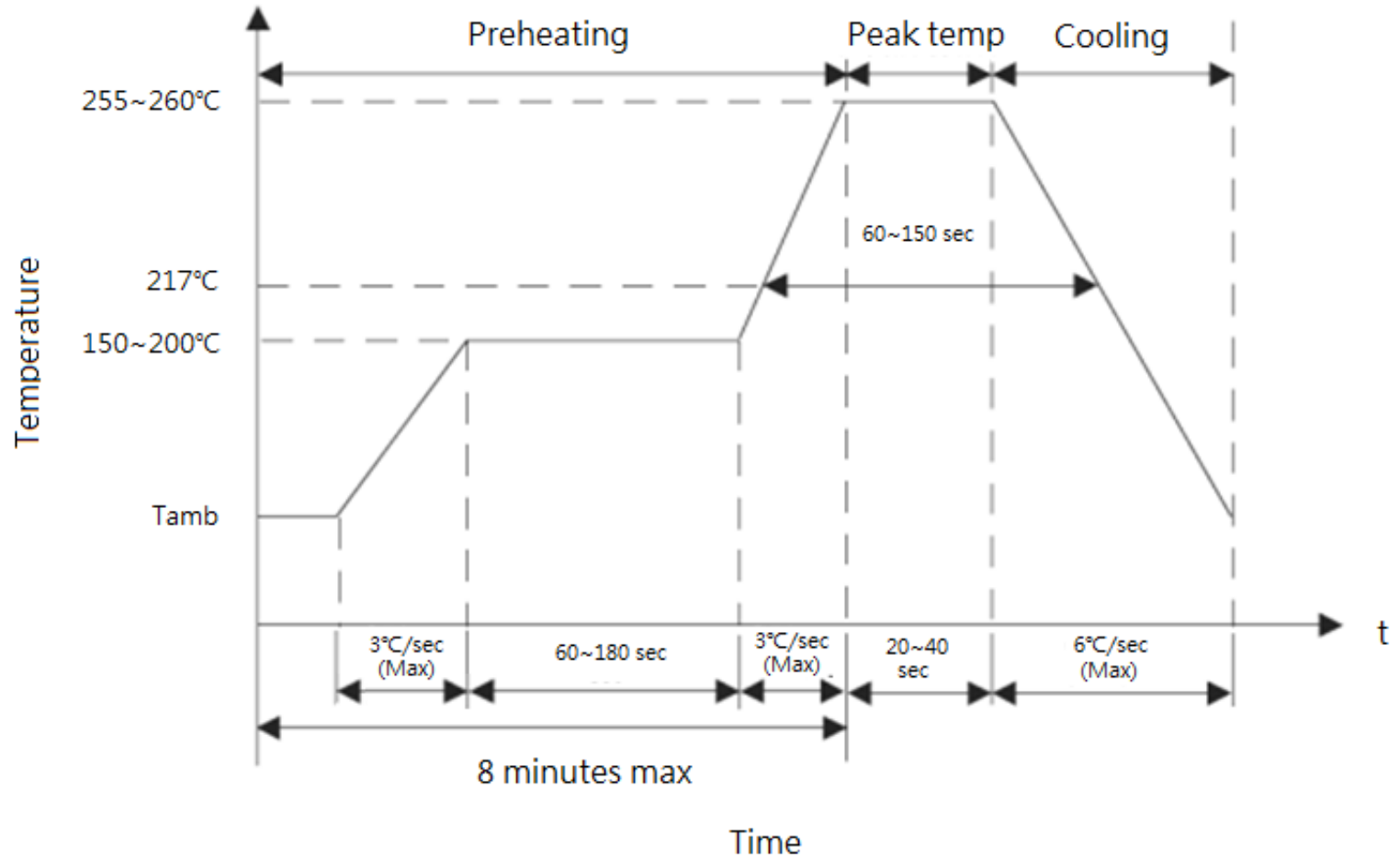
SMD NTC R – T Table (1)

TEMP °C	JSNA103X338Y	JSNA103X344Y	JSNA473X405H	JSNB103X344Y	JSNB473X395Y	JSNB473X405Y	JSNB104X398Y
	B25/50	B25/85	B25/85	B25/85	B25/85	B25/85	B25/85
	Center (KΩ)	Center (KΩ)	Center (KΩ)	Center (KΩ)	Center (KΩ)	Center (KΩ)	Center (KΩ)
-40	178.764	178.764	1518.120	178.764	1556.804	1518.120	2674.077
-35	137.502	137.502	1106.114	137.502	1126.322	1106.114	1994.768
-30	106.073	106.073	813.573	106.073	821.632	813.573	1501.065
-25	82.329	82.329	603.851	82.329	605.033	603.851	1138.073
-20	64.403	64.403	452.107	64.403	449.976	452.107	868.726
-15	50.814	50.814	341.337	50.814	338.019	341.337	667.340
-10	40.442	40.442	259.786	40.442	256.419	259.786	515.770
-5	32.458	32.458	199.254	32.458	196.362	199.254	401.005
0	26.256	26.256	153.968	26.256	151.727	153.968	313.613
5	21.392	21.392	119.830	21.392	118.238	119.830	246.699
10	17.544	17.544	93.909	17.544	92.878	93.909	195.185
15	14.472	14.472	74.087	14.472	73.505	74.087	155.311
20	12.002	12.002	58.826	12.002	58.583	58.826	124.280
25	10.000	10.000	47.000	10.000	47.000	47.000	100.000
30	8.367	8.367	37.777	8.367	37.942	37.777	80.899
35	7.028	7.028	30.541	7.028	30.810	30.541	65.792
40	5.924	5.924	24.830	5.924	25.157	24.830	53.779
45	5.010	5.010	20.296	5.010	20.651	20.296	44.176
50	4.249	4.249	16.678	4.249	17.038	16.678	36.459
55	3.615	3.615	13.775	3.615	14.125	13.775	30.228
60	3.084	3.084	11.433	3.084	11.765	11.433	25.169
65	2.638	2.638	9.535	2.638	9.843	9.535	21.044
70	2.262	2.262	7.989	2.262	8.271	7.989	17.664
75	1.946	1.946	6.724	1.946	6.980	6.724	14.881
80	1.678	1.678	5.683	1.678	5.915	5.683	12.580
85	1.451	1.451	4.825	1.451	5.033	4.825	10.670
90	1.258	1.258	4.112	1.258	4.300	4.112	9.078
95	1.095	1.095	3.519	1.095	3.688	3.519	7.746
100	0.955	0.955	3.024	0.955	3.175	3.024	6.627
105	0.836	0.836	2.607	0.836	2.744	2.607	5.684
110	0.734	0.734	2.257	0.734	2.380	2.257	4.887
115	0.646	0.646	1.960	0.646	2.072	1.960	4.210
120	0.571	0.571	1.709	0.571	1.811	1.709	3.635
125	0.506	0.506	1.494	0.506	1.588	1.494	3.144

SMD NTC R – T Table (2)

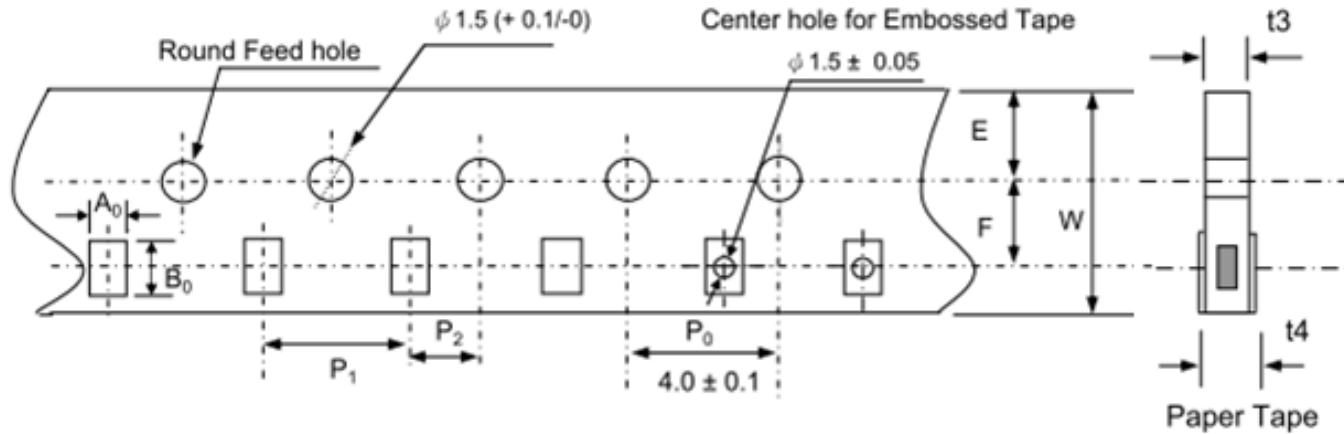
TEMP °C	JSNB104X405Y	JSNB104X440Y	JSNB204X406Y	JSNC103X338Y	JSNC103X344Y	JSNC683X400Y	JSNC104X398Y
	B25/85	B25/85	B25/85	B25/50	B25/85	B25/85	B25/85
	Center (KΩ)	Center (KΩ)	Center (KΩ)	Center (KΩ)	Center (KΩ)	Center (KΩ)	Center (KΩ)
-40	2868.371	4572.000	8866.341	178.764	178.764	1818.372	2674.077
-35	2193.382	3197.096	6154.043	137.502	137.502	1356.442	1994.768
-30	1661.225	2268.652	4336.094	106.073	106.073	1020.724	1501.065
-25	1254.129	1630.954	3098.593	82.329	82.329	773.890	1138.073
-20	947.788	1186.288	2243.858	64.403	64.403	590.734	868.726
-15	719.021	872.016	1645.340	50.814	50.814	453.791	667.340
-10	548.508	647.200	1220.777	40.442	40.442	350.724	515.770
-5	421.177	484.614	915.906	32.458	32.458	272.683	401.005
0	325.687	365.866	694.439	26.256	26.256	213.257	313.613
5	253.662	278.350	531.788	21.392	21.392	167.755	246.699
10	198.977	213.315	411.090	17.544	17.544	132.725	195.185
15	157.165	164.616	320.638	14.472	14.472	105.611	155.311
20	124.968	127.887	252.217	12.002	12.002	84.510	124.280
25	100.000	100.000	200.000	10.000	10.000	68.000	100.000
30	80.505	78.692	159.812	8.367	8.367	55.011	80.899
35	65.185	62.311	128.632	7.028	7.028	44.738	65.792
40	53.070	49.646	104.256	5.924	5.924	36.569	53.779
45	43.433	39.798	85.059	5.010	5.010	30.039	44.176
50	35.724	32.100	69.835	4.249	4.249	24.792	36.459
55	29.526	26.050	57.681	3.615	3.615	20.555	30.228
60	24.518	21.271	47.917	3.084	3.084	17.115	24.276
65	20.452	17.476	40.025	2.638	2.638	14.310	21.044
70	17.136	14.449	33.608	2.262	2.262	12.011	17.664
75	14.421	12.021	28.362	1.946	1.946	10.119	14.881
80	12.189	10.065	24.050	1.678	1.678	8.555	12.580
85	10.346	8.482	20.488	1.451	1.451	7.256	10.670
90	8.818	7.195	17.531	1.258	1.258	6.173	9.078
95	7.548	6.143	15.064	1.095	1.095	5.267	7.746
100	6.488	5.280	12.997	0.955	0.955	4.506	6.627
105	5.601	4.569	11.258	0.836	0.836	3.865	5.684
110	4.854	3.981	9.787	0.734	0.734	3.323	4.887
115	4.225	3.492	8.540	0.646	0.646	2.863	4.210
120	3.693	3.085	7.478	0.571	0.571	2.472	3.635
125	3.242	2.745	6.569	0.506	0.506	2.138	3.144

SMD NTC IR-Reflow Soldering Profile



SMD NTC Packaging

Taping Specification

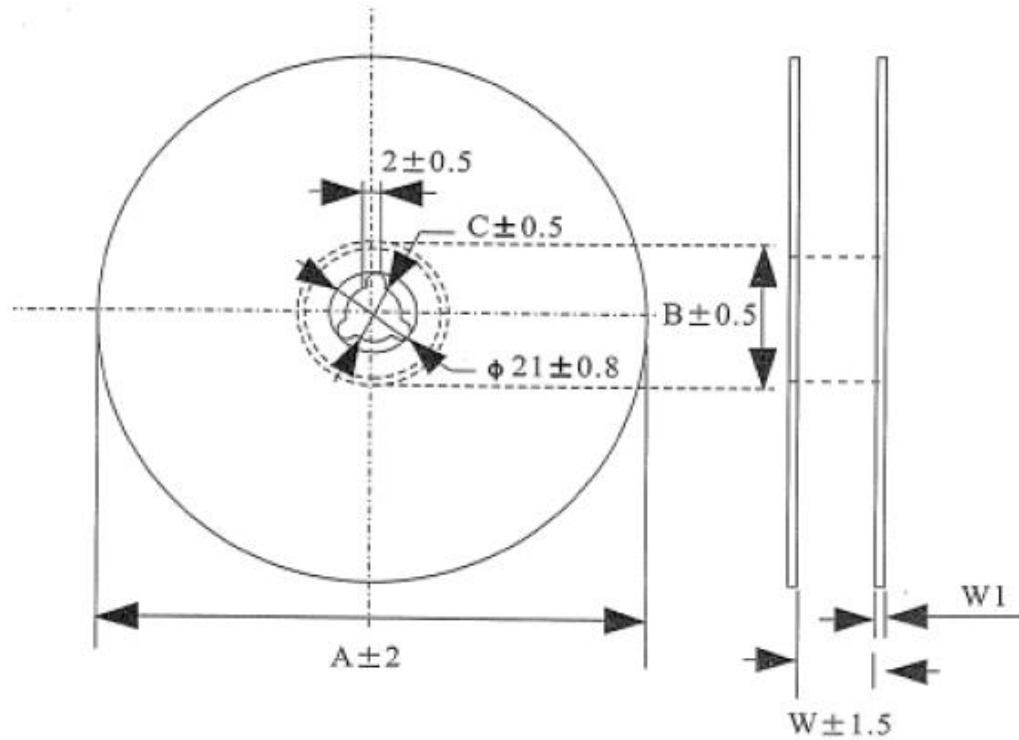


Unit : mm

	A 0 ± 0.1	B 0 ± 0.1	P 1 ± 0.1	P 2 ± 0.1	t3/t4	Quantity/Reel (Pcs)
JSNA Series (0402)	0.62	1.10	2.00	2.00	1.0max/1.1max	10,000
JSNB Series (0603)	1.08	1.88	4.00	4.00	1.0max/1.1max	4,000
JSNC Series (0805)	1.45	2.30	4.00	4.00	1.0max/1.1max	4,100

SMD NTC Packaging

Reel Specification



Unit : mm

A	B	C	W	W1
178	60	13	10	1.6