

AUC

10.4Ø x 38.5 mm

Designed for use in large-scale air conditioning units



Agency Approvals

Agency	Ampere Rating
Recognized Component for Canada and US	25A - 70A

Electrical Characteristics

Ampere Rating	Opening Time	
	1 In	2 In
	MIN	MAX
25A - 70A	4 hr	120 sec

Interrupting Rating

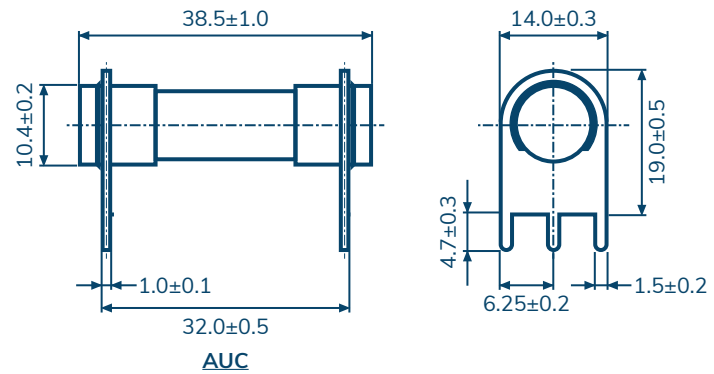
2,000 amperes at 500V AC
 2,000 amperes at 250V AC
 1,000 amperes at 125V DC

Catalog Number	Ampere Rating (A)	Voltage Rating (V)	Nominal Cold Resistance (Ohms)	Nominal Melting I ² t (A ² sec.)
AUC 040	40A	250/500V	0.0019	2616.00
AUC 050	50A		0.0014	3975.00
AUC 063	63A		0.0011	6271.00
AUC 070	70A		0.0010	11760.0

Product Characteristics

Operating Temperature	-55 °C to 125 °C
Material	Body: Ceramic / Caps: Nickel Plated Copper Alloy / Terminal: Tin Plated Copper

Mechanical Dimensions(mm)



Packaging

Packaging Option	Quantity
Bulk	80 pcs / box